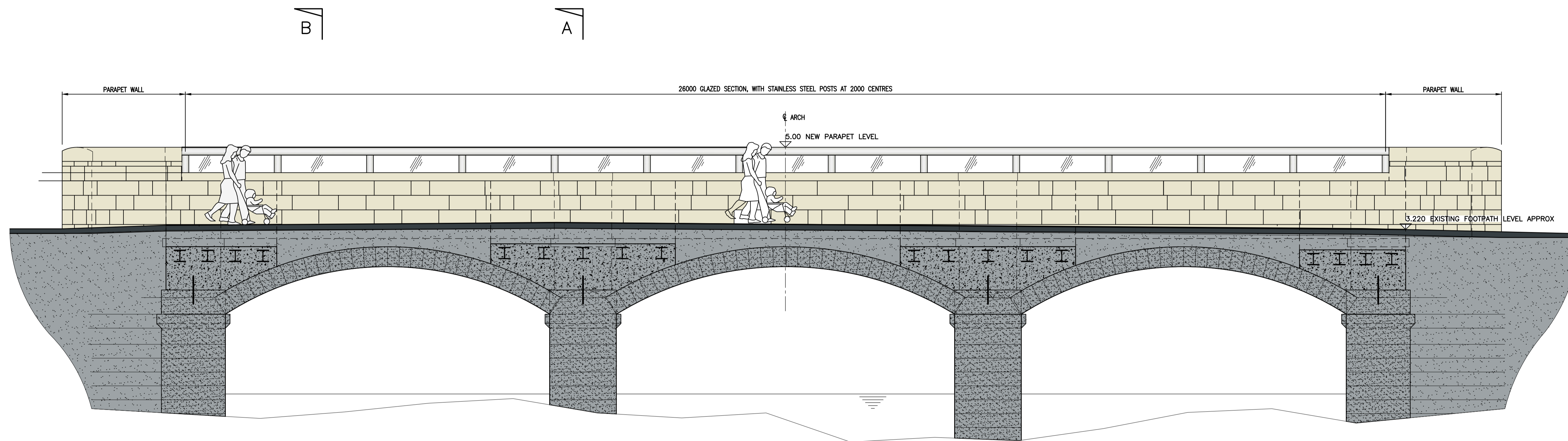
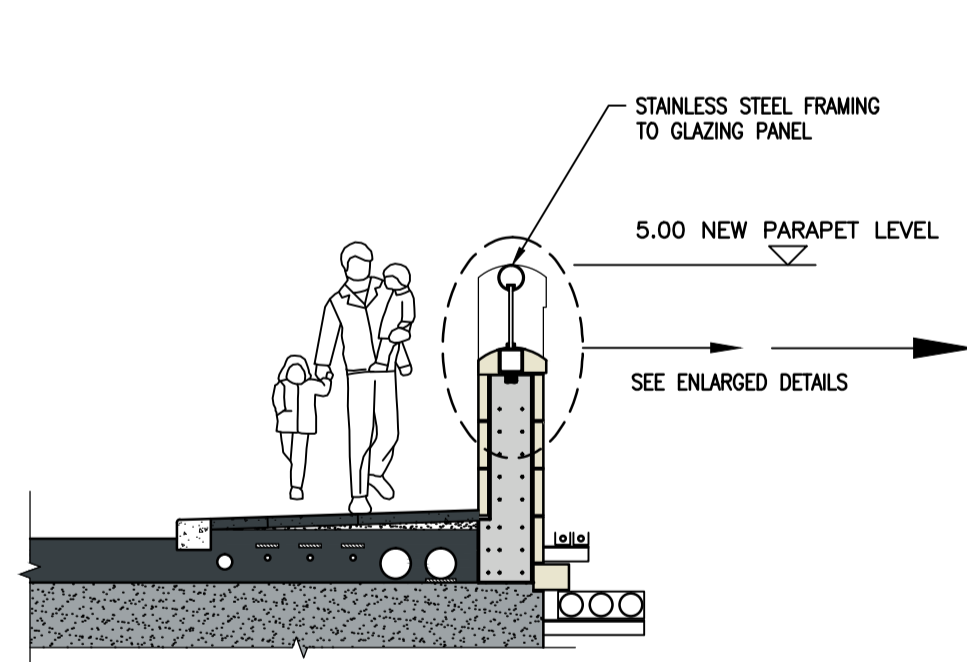


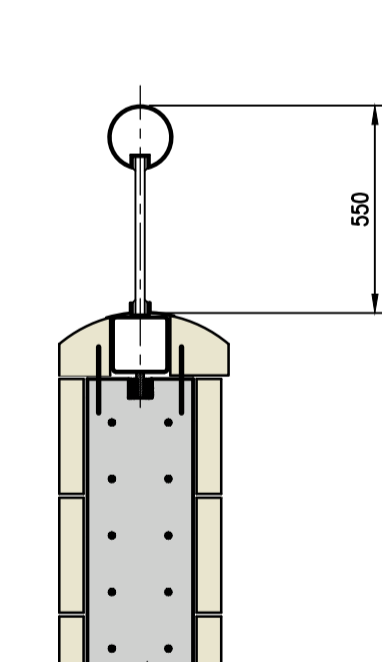
- EXISTING GRANITE CUT FOR FACINGS TO BE USED ON THE EXTERNAL FACE OF THE BRIDGE.
NEW GRANITE FACINGS TO BE USED TO THE INTERNAL FACE OF THE BRIDGE.
- ALL LEVELS REFER TO MALIN HEAD.



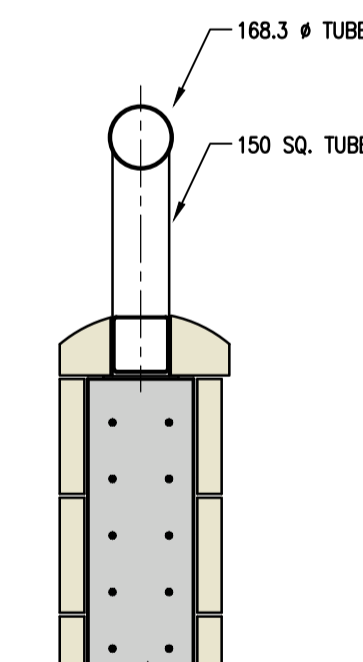
LONGITUDINAL SECTION SHOWING NEW FOOTPATH FINISHES TO BOTH SIDES
WITH OPTION 4 INSET GLAZING PANELS (FULL LENGTH EACH SIDE) TO PARAPET WALL
SCALE 1:50



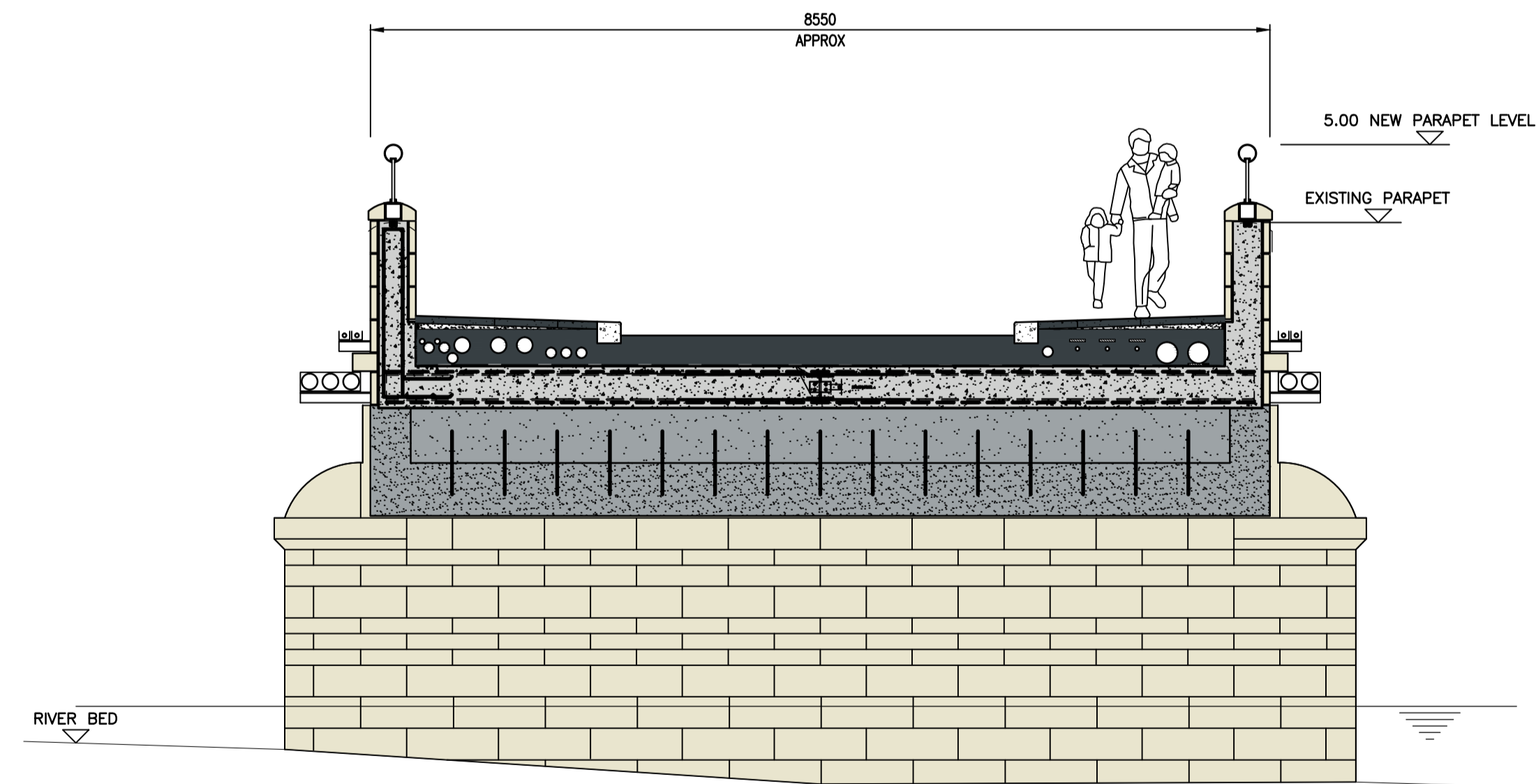
SECTION B-B (TYPICAL GLAZING PANEL)
SCALE 1:50



ENLARGED GLAZING PANEL DETAIL
SCALE 1:20



ENLARGED GLAZING PANEL DETAIL
AT POST POSITION
SCALE 1:20



SECTION A-A (TYPICAL PIER LOCATION)
SCALE 1:50

B	19.01.12	FOR INFORMATION	AJH	NMcL	
A	03.09.10	FOR INFORMATION	AJH	NMcL	
REV	DATE	DESCRIPTION	BY	CHK	APP

REVISIONS

DUBLIN CITY COUNCIL



RIVER DODDER
FLOOD ALLEVIATION WORKS

TITLE
LONDON BRIDGE
PROPOSED PARAPET
MODIFICATIONS
OPTION 4B



DRAWN	AJH	CHECKED	NMcL	PASSED
-------	-----	---------	------	--------

DATE	SEPT'10	CLIENT'S REF.	
------	---------	---------------	--

SCALE AT A1 AS SHOWN AUTOCAD REF. 9S9229-4201

DRAWING No.	9S9229/4206	REVISION	B
-------------	-------------	----------	---